

INDO ASIAN

Distribution Boards

For Mounting **INDOKOPP** Miniature Circuit Breakers



INDO ASIAN

Distribution Boards
Are well engineered and aesthetically
Designed to suit various applications and incorporate
“**INDOKOPP**” Miniature Circuit Breakers

Distribution Boards

For Mounting Miniature Circuit Breakers

DESIGN

INDO KOPP Distribution Boards in sheet steel enclosures fabricated with precision compact designs have been developed to ensure convenience and ease of installation and operation. They favourably match the latest and most modern European Technology and have an eye appeal.

CONSTRUCTION

The enclosures are fabricated out of best quality CRCA steel sheets for better strength and finish. The distribution boards are supplied duly fitted with Din-Channel, neutral link and bus bars so that the mcbs of desired number and rating can be fitted conveniently at site, except for one to four pole enclosures, which are only fitted with Din Channels.

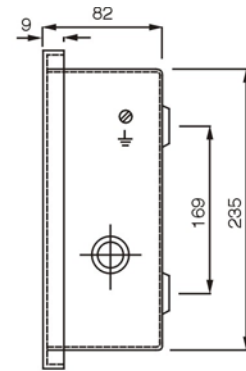
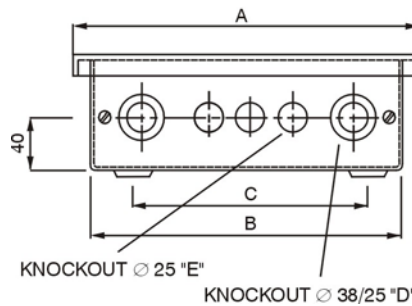
POWDER PAINT

High quality semi-glossy powder paint is sprayed and baked at high temperature. Before this process the housings go through rigorous anti-rust conditioning I seven tank process to ensure smooth and lasting finish and protection against corrosive atmosphere.

SuperLine MCB Distribution Boards

The *SuperLine* aries of distribution boards are designed with the best combination of engineering technology and aesthetics to suit various applications

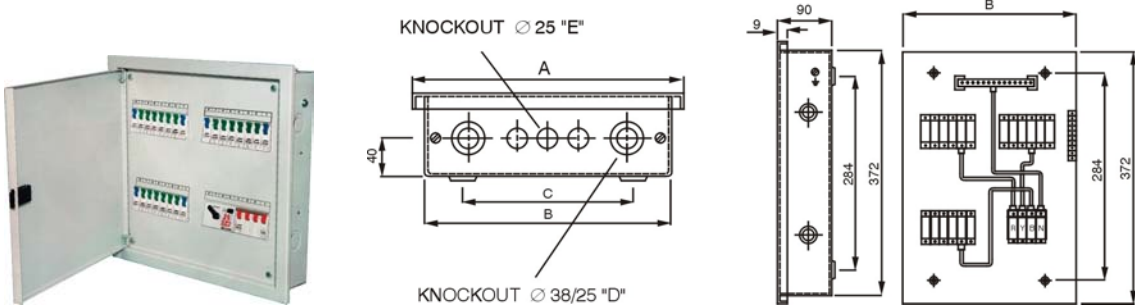
SuperLine SP&N Distribution Boards



TYPE	TO ACCOMMODATE
KSLS 8 Way	8 Nos. SP MCBs
KSLS 12 Way	12 Nos. SP MCBs
KSLS 16 Way	16 Nos. SP MCBs

S.NO	WAYS	A	B	C	D	E
1	8	232	194	144	2	2
2	12	302	264	214	2	3
3	16	372	334	284	2	5

SuperLine TP&N DISTRIBUTION BOARDS



TYPE	TO ACCOMMODATE
KSLT 4 Way	12 Nos. SP MCBs (4 Per Phase)
KSLT 6 Way	18 Nos. SP MCBs (6 Per Phase)
KSLT 8 Way	24 Nos. SP MCBs (8 Per Phase)
KSLT 12 Way	36 Nos. SP MCBs (12 Per Phase)

S.NO	WAYS	A	B	C	D	E
1	4	285	257	179	2	2
2	6	357	329	251	2	4
3	8	429	401	323	2	6
4	12	573	545	467	2	8

SuperLine MULTITIER DISTRIBUTION BOARDS

3 TIER



TYPE	TO ACCOMMODATE SUB INCOMER	per phase OUTGOING
KSL 3 TIER 8 Way	1 Nos. RCCB	4 SP MCBs
KSL 3 TIER 12 Way	1 Nos. RCCB	8 SP MCBs
KSL 3 TIER 16 Way	1 Nos. RCCB	12 SP MCBs

4 TIER

TYPE	TO ACCOMMODATE SUB INCOMER	per phase OUTGOING
KSL 4 TIER 8 Way	1 Nos. RCCB	4 SP MCBs
KSL 4 TIER 12 Way	1 Nos. RCCB	8 SP MCBs
KSL 4 TIER 16 Way	1 Nos. RCCB	12 SP MCBs

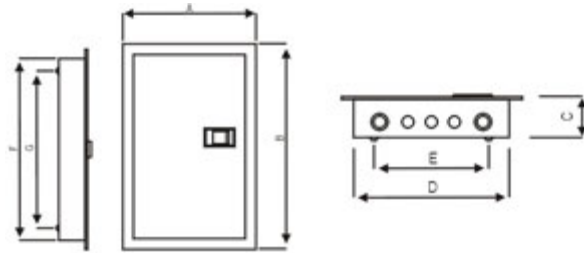
- Separate neutral Link for Each Phase
- Provision for RCCB as Sub Incomer Provided in Each Phase
- Dimensions available on request

SuperLine VERTICAL TP&N DISTRIBUTION BOARDS

1. No. 4 Pole Isolator/MCB/ELCB as incomer (Provision)



TYPE	TO ACCOMMODATE
KSLTV 4 Way	12 Nos. SP or 4 Nos. TP MCB
KSLTV 8 Way	24 Nos. SP or 8 Nos. TP MCB
KSLTV 12 Way	36 Nos. SP or 12 Nos. TP MCB



WAYS	A	B	C	D	E	F	G
4	382	536	104	350	270	504	424
8	382	636	104	350	270	604	524
12	382	736	104	350	270	704	624

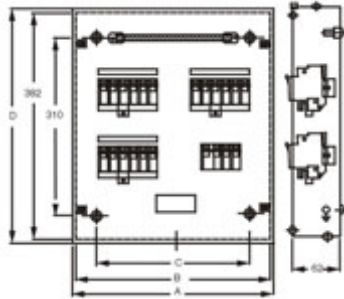
TrimLine TP&N DISTRIBUTION BOARDS



- ELEGANT
- SLEEK DESIGN
- ECONOMICAL
- MONEY SAVER
- DURABLE
- CUSTOMER FRIENDLY

1 No. 4 Pole Isolator / MCB / ELCB as Incomer (Provision)
6, 8 and 12 W with 6 Pole Incomer (Provision)

TYPE	TO ACCOMMODATE
KSTIT 4 Way	12 Nos. SP MCB (4 per Phase)
KSTIT 6 Way	18 Nos. SP MCB (6 per Phase)
KSTIT 8 Way	24 Nos. SP MCB (8 per Phase)
KSTIT 12 Way	36 Nos. SP MCB (12 per Phase)



C.R.C.A. Steel Sheet Housing 1.2 MM
E.T.P. COPPER RATING UPTO 100 mm
DEGREE OF PROTECTION IP 30

On Request

- SPN Busbar System for SPN MCB
- Earth Busbar

TYPE	WAYS	SURFACE MOUNTING				D	KNOCK OUTS COMMON FOR INCOMING & OUTGOINGS
		A	B	C	D		
KSTIT	4	267	257	171	392	2 nos. - \varnothing 38 & 2 nos. - \varnothing 25 / \varnothing 19	
KSTIT	6	339	329	243	392	2 nos. - \varnothing 38 & 4 nos. - \varnothing 25 / \varnothing 19	
KSTIT	8	411	401	315	392	2 nos. - \varnothing 38 & 6 nos. - \varnothing 25 / \varnothing 19	
KSTIT	12	555	545	459	392	2 nos. - \varnothing 38 & 8 nos. - \varnothing 25 / \varnothing 19	

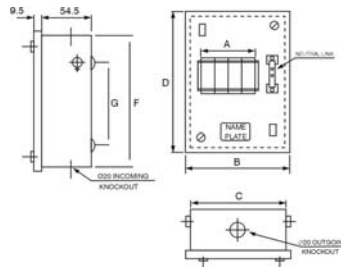
INDO ASIAN

SINGLE/FOUR POLE ENCLOSURE



- Boards are fitted with Neutral link (NL) only
- Also available in plastic enclosures, type KPS (without NL)

TYPE	TO ACCOMMODATE
KSS1P	Single Pole MCB
KSS2P	Double Pole MCB
KSS3P	Triple Pole MCB
KSS4P	Four Pole MCB

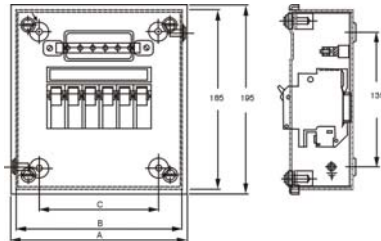


POLE	A	B	C	D	F	G
ONE	18	78	66	160	152	112
TWO	36	118	106	190	175	138
THREE	54	118	106	190	175	138
FOUR	71	136	124	190	175	138

SP & N DISTRIBUTION BOARDS



TYPE	TO ACCOMMODATE
KSS 4 Way	4 Nos. SP MCB
KSS 6 Way	6 Nos. SPMCB
KSS 8 Way	8 Nos. SP MCB
KSS 12 Way	12 Nos. SP MCB
KSS 16 Way	16 Nos. SP MCB



TYPE	WAYS	SURFACE MOUNTING				KNOCKOUT DIA	
		A	B	C	D	INCOMING	OUTGOING
KSS	4	147	504	82	195	1 NO.- Ø 25	4 NOS.- Ø 20
KSS	8	183	170	116	195	2 NO.- Ø 25	8 NOS.- Ø 20
KSS	12	219	206	156	195	1 NO. - Ø 25	12 NOS.- Ø 20
KSS	12	290	278	225	195	1 NO.- Ø 38	12 NOS.- Ø 20
KSS	16	363	350	300	195	1 NO.- Ø 38	16 NOS.- Ø 20

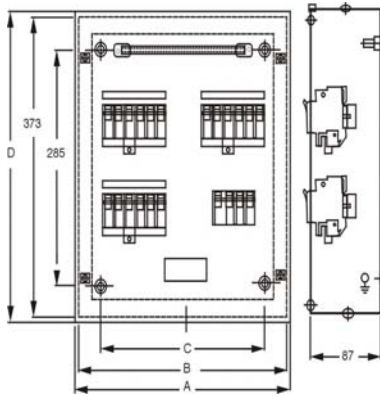
PAINT : SEMI GLOSSY
POWDER PAINT M.S.
HOUSING 1.2MM
BUSBAR
ELECTROLYPTIC
COPPER RATING UPTO
100 Amps. DEGREE OF
PROTECTION IP 30

TP & N DISTRIBUTION BOARDS

1. No. 4 Pole Isolator/MCB/ELCB as incomer (Provision)
6.8 & 12 W with 6 Pole Incomer (Provision)



TYPE	TO ACCOMMODATE
KSTI 4 Way	12 Nos. SP MCB 4 in each phase
KSTI 6 Way	18 Nos. SP MCB 6 in each phase
KSTI 8 Way	24 Nos. SP MCB 8 in each phase
KSTI 12 Way	36 Nos. SP MCB 12 in each phase



PAINT : SEMI GLOSSY
POWDER PAINT
M.S. HOUSING 1.2 MM
BUSBAR ELECTROLYTIC
COPPER
RATING UPTO 125 Amps.
DEGREE OF PROTECTION IP
30
SPN MCB IN THE OUTGOING
CAN ALSO BE PROVIDED WITH
DOUBLE BUSBAR SYSTEM ON
REQUEST

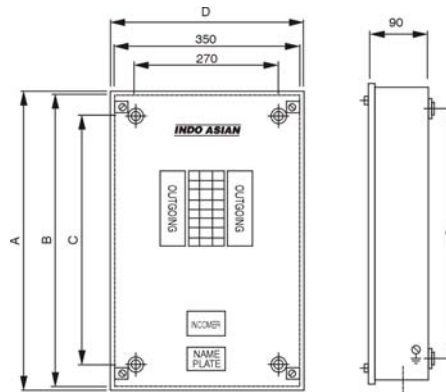
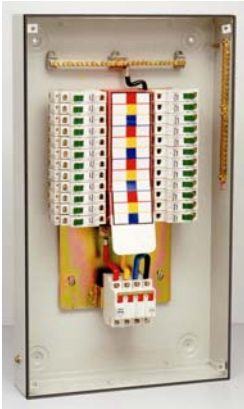
TYPE	WAYS	SURFACE MOUNTING				D	KNOCK OUTS COMMON FOR INCOMING & OUTGOINGS
		A	B	C	D		
KSTI	4	267	257	180	383	2 nos. - \varnothing 38 & 2 nos. - \varnothing 25	
KSTI	6	339	329	252	383	2 nos. - \varnothing 38 & 4 nos. - \varnothing 25	
KSTI	8	411	401	324	383	2 nos. - \varnothing 38 & 6 nos. - \varnothing 25	
KSTI	12	555	545	468	383	2 nos. - \varnothing 38 & 8 nos. - \varnothing 25	

VERTICAL TP & N DISTRIBUTION BOARDS

1. No. 4 Pole Isolator/ MCB/ELCB as Incomer



TYPE	TO ACCOMMODATE
KSTV 4 Way	12 Nos. SP MCB or 4 Nos. TP MCB
KSTV 8 Way	24 Nos. TP MCB 8 Nos. TP MCB
KSTV 12 Way	36 Nos. SP MCB or 12 in each phase



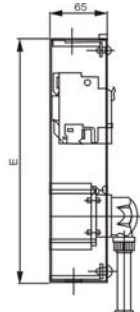
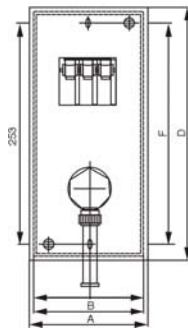
PAINT : SEMI GLOSSY,
POWDER PAINT,
M.S. HOUSING, 0.914 mm
DEGREE OF Protection IP 30

TYPE	WAYS	SURFACE MOUNTING				KNOCK OUT DIA	
		A	B	C	D	INCOMING	OUTGOING
KSTV	4	516	504	424	362	1 NO.- ϕ 50	4 NOS.- ϕ 25
KSTV	8	616	604	524	362	2 NO.- ϕ 50	8 NOS.- ϕ 25
KSTV	12	716	704	624	362	3 NO.- ϕ 50	12 NOS.- ϕ 25

PLUG & SOCKET DISTRIBUTION BOARDS



FITTED WITH	TYPE	TO ACCOMMODATE
3 Pin Plug Socket	KSPS10	10A SP MCB
3 Pin Plug Socket	KSPS20	20A SP MCB
3 Pin Plug Socket	KSPS20	20A SP AC Box
4 Pin Plug Socket	KSPS20	20A TP MCB
4 Pin Plug Socket	KSPS30	30A TP MCB



PLUG & SOCKETS SP & TP DISTRIBUTION BOARDS

PAINT : SEMI GLOSSY
POWDER PAINT
M.S. HOUSING
0.914 mm DEGREE OF
PROTECTION IP 30

Plug & Socket TP Distribution Boards
Dimensions (in mm)

TYPE	SURFACE MOUNTING					KNOCKOUT INCOMING	DIA OUTGOING
	A	B	D	E	F		
KSPS SP 10	135	126	165	154	120	1 NO.- ø25	1 NO.- ø25
KSPS SP 20	135	126	165	154	120	1 NO.- ø25	1 NO.- ø25
KSPS SP 20 (AC Box)	135	126	165	154	120	1 NO.- ø25	1 NO.- ø25
KSPS TP 20	125	114	280	280	246	1 NO.- ø25	1 NO.- ø25
KSPS TP 30	125	114	280	280	246	1 NO.- ø25	1 NO.- ø25

DBS WITH HIGHER DEGREE OF PROTECTION SUCH AS IP40, IP55 CAN ALSO BE PROVIDED

ACCESSORIES

- Din Channel in various sizes for mounting mcbs. – Dummy plugs. – Copper Bus Bars of adequate ratings. - Neutral link fitted with Hylam Base. – Brass incoming contact (Terminal)

All Dimensions in mm with usual tolerance.

Development is a continuous process at INDO ASIAN – Technical data is subject to change.