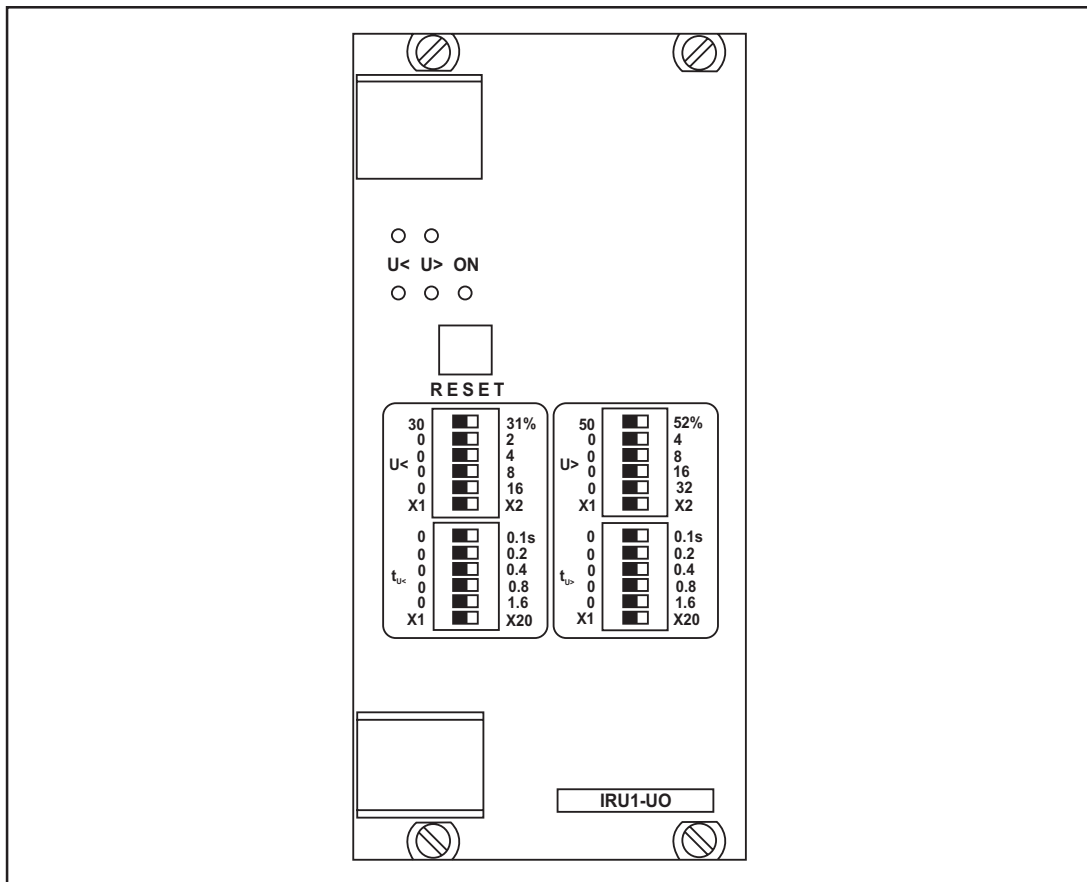


High-Tech Range

IRU1- AC Voltage Relay



1. Introduction

2. Applications

3. Characteristics and features

4. Design

4.1 Connections

4.1.1 Voltage measuring inputs

4.1.2 Output relays

4.2 Front plates

4.2.1 LEDs

4.2.2 DIP-switches

4.2.3 Push-button <RESET>

4.3 Code jumper

5. Working Principle

6. Operations and settings

6.1 Layout of the operating elements

6.2 Setting of parameters by means of DIP-switches

6.2.1 Setting of the pickup value for overvoltage supervision $U>$

6.2.2 Setting of the pickup value for the undervoltage supervision $U<$

6.2.3 Setting of the pickup value for the earth-fault voltage supervision $U_E>$ (IRU1-E only)

6.2.4 Setting of trip delay

6.2.5 Indication of faults

6.3 Reset

6.3.1 Reset by pressing pushbutton <RESET>

6.3.2 Automatic reset

7. Housing

7.1 Individual housing

7.2 Rack mounting

7.3 Terminal connections

8. Relay testing and commissioning

8.1 Power on

8.2 Checking the setting value

8.3 Secondary test

8.3.1 Test equipment

8.3.2 Example test circuit with IRU1-relay

8.3.3 Testing of pickup- and reset values (IRU1-UO)

8.3.4 Trip delay test (IRU1-UO)

8.3.5 Pickup- and reset value test for the earth-fault element (IRU1-E)

8.3.6 Trip delay test for the earth-fault element (IRU1-E)

8.4 Primary test

8.5 Maintenance

9. Technical Data

9.1 Measuring input

9.2 Auxiliary voltage

9.3 Common Data

9.4 Output relays

9.5 System data

9.6 Setting ranges and steps

9.7 Dimensional drawing

10 Order Form

1. Introduction

When compared with traditional protection systems the protective relaying with **MR** - and **IR** -relays of our **HIGH TECH RANGE** offers several advantages.

All **MR** protection relays are based on microprocessor technology. They present the generation of our most efficient protection relays, because of their capabilities to process the measuring values digitally and to perform arithmetical and logical operation.

Additional advantages such as very low power consumption, adaptability, possibilities for self-supervision, flexible construction, selection of relay characteristics are completely utilized.

Some **IR** protection relays are based on microprocessor and some on analog technology. They present our low-priced protection relay generation and are used for all basic protection application.

The following properties of the **IR** protection relays, such as:

- Integration of multiple protection functions into one compact housing,
- User-friendly setting procedure by means of DIP-switches,
- Compact design due to SMD-technique, are their superiority over the traditional protection systems.

For all applications of a more complex nature, e.g. directional earth fault detection and where operating convenience, fault analysis and communication ability are required, **MR**-relays are used.

All relays of the **HIGH TECH RANGE** are available for through panel mounting and in 19" racks. Connection terminals are of plug-in type. All IEC/DIN regulations required for the individual application are reliably met by these relays.

2. Application

The voltage supervision relay **IRU1** generally protects power generating systems, consumers or electrical equipment in case of under or overvoltage.

Among other the relay can be used:

- to detect voltage increase or decrease in power-generating systems and energy supply networks
- to protect from dangerous overvoltage in case of a faulty voltage controller
- to protect motors against undervoltage
- to protect the generator stator against earth-fault (**IRU1-E** only)
- earth-fault supervision in isolated or compensated networks (**IRU1-E** only)

3. Characteristics and features

- Static protective device
- Three phase voltage supervision
- Voltage supervision with one stage under- and overvoltage function
- Extremely wide setting ranges and fine steps
- Separately adjustable, independent timers for $U <$ and $U >$ (**IRU1-UO**)
- Independent trip delays of the individual elements
- One - phase voltage supervision for earth-fault protection (**IRU1-E**)
- Sensitive earth-fault detection with suppression of the third harmonic (**IRU1-E**)
- Independent tripping characteristic
- Connection facility to phase-to-neutral or phase-to-phase voltage
- Wide operating ranges of the supply voltage (AC/DC)
- Coding plugs for latching or auto-reset of LED indications and output relays

4. Design

4.1 Connections

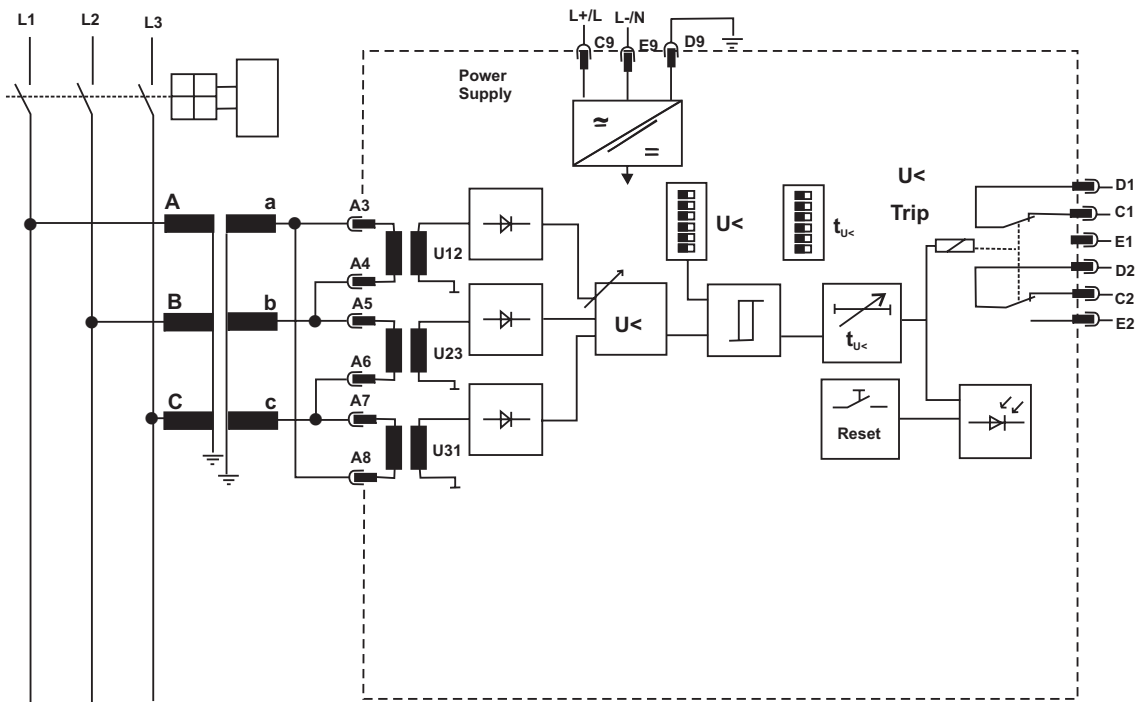


Fig. 4.1: Connection diagram IRU1-U

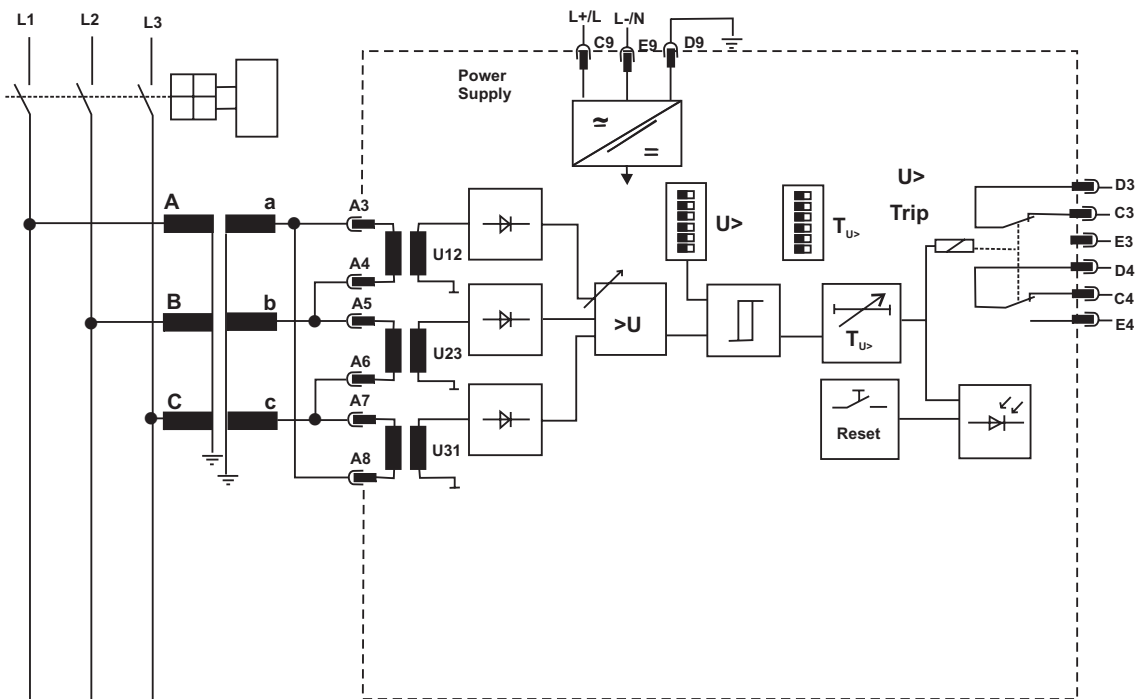


Fig. 4.2: Connection diagram IRU1-O

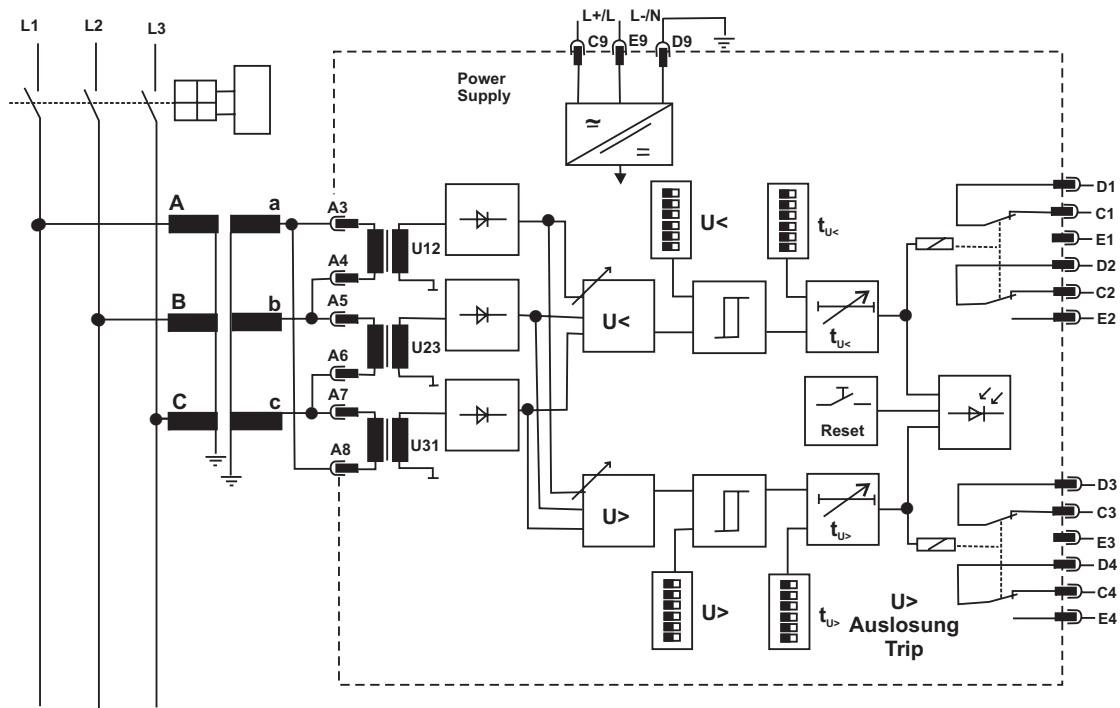


Fig. 4.3: Connection diagram IRU1-UO

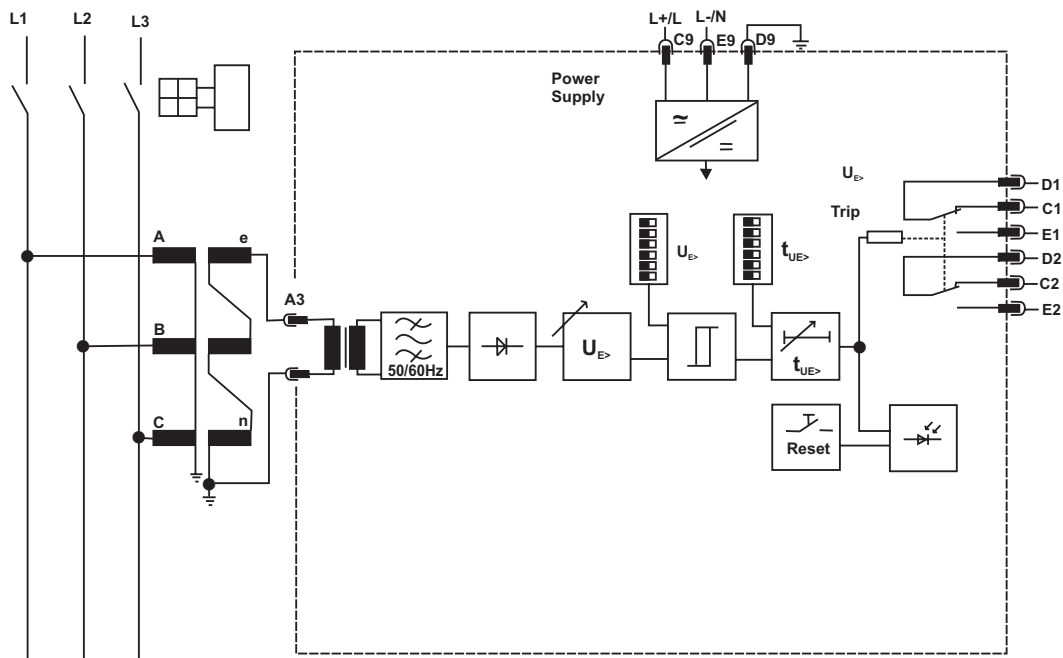


Fig. 4.4: Connection diagram IRU1-E

In the following the **IRU1** functional description always refers to the version **IRU1-UO**. With a few exceptions (no overvoltage supervision for the IRU1-U, no undervoltage supervision for the IRU1-0, only earth-fault voltage supervision for the **IRU1-E**) all functions are valid for the other units, too.

4.1.1 Voltage measuring inputs

Via terminals A3 to A8, the analog input signals of the phase-to-neutral or phase-to-phase voltages are fed to the protective device. In medium- and high-voltage networks voltage transformers are necessary. In low-voltage networks the mains voltage can be applied directly to the measuring input circuits.

Both connections of each input transformer are led to terminals. Due to this phase-to-neutral or phase-to-phase voltage supervision is possible.

The rated voltage declaration of the relay obtains the voltage between these terminals (e.g. A3/A4).

4.1.2 Output relays

Output relay **IRU1-UO**

The **IRU1-UO** is equipped with one tripping relay for overvoltage and one for undervoltage supervision each with two change-over contacts:

Tripping $U <$: D1, C1, E1; D2, C2, E2
(also available at the **IRU1-U**)

Tripping $U >$: D3, C3, E3; D4, C4, E4
(also available at the **IRU1-0**)

Output relay **IRU1-E**

The **IRU1-E** provides one tripping relay with two change-over contacts:

Tripping $U_E >$: D1, C1, E1; D2, C2, E2

4.2 Front plates

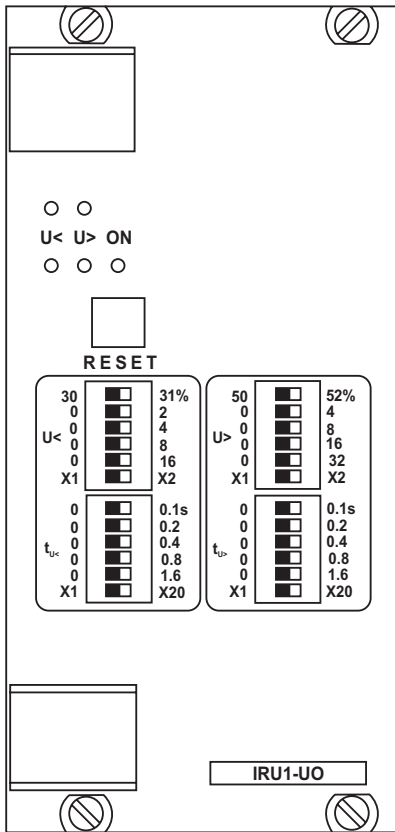


Fig. 4.5: Front plate IRU1-UO

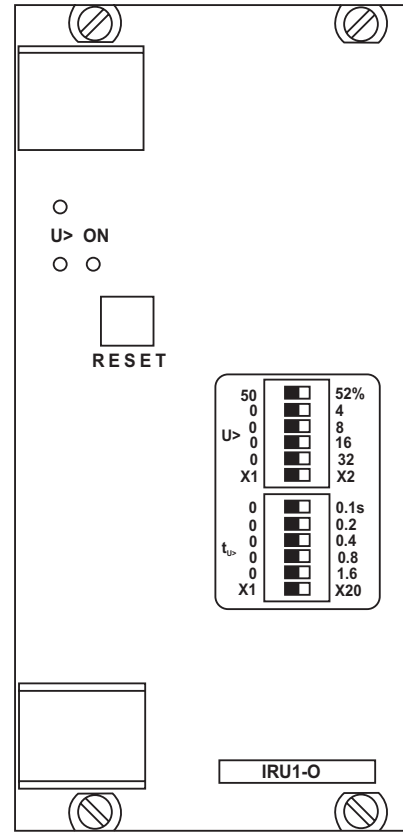


Fig. 4.7: Front plate IRU1-O

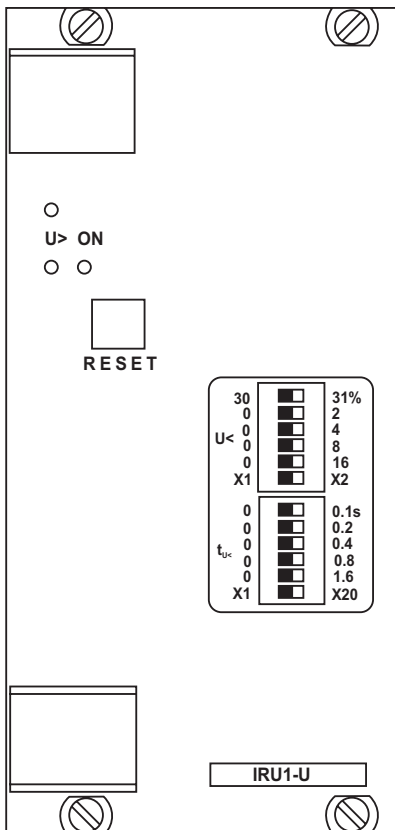


Fig. 4.6: Front plate IRU1-U

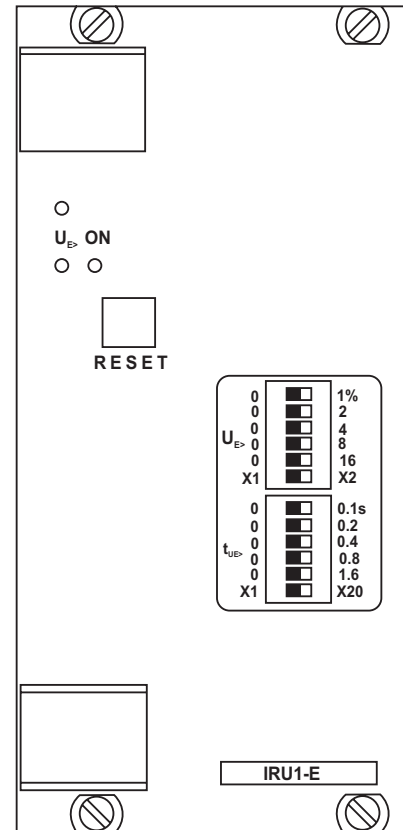


Fig. 4.8: Front plate IRU1-E

The front plate of **IRU1-UO** comprises the following operation- and indication elements:

- 4 DIP-switches sets of for the setting of tripping values and trip delays
- 5 LEDs for the indication of faults and the readiness for service
- 1 pushbutton <RESET>

4.2.1 LEDs

The **IRU1-UO** front plate provides five LEDs, for indication of the following operation modes:

- ready for service LED ON (green)
- undervoltage alarm $U<$, top LED (yellow)
- overvoltage alarm $U>$, top LED (yellow)
- undervoltage trip $U<$, bottom LED (red)
- overvoltage trip $U>$, bottom LED (red)

The **IRU1-E** front plate provides three LEDs, for indication of the following operation modes:

- ready for service LED ON (green)
- residual voltage alarm $UE>$, top LED (yellow)
- residual voltage trip $UE>$, bottom LED (red)

4.2.2 DIP-switches

The 4 sets of DIP-switches on the front plate of the **IRU1-UO** serve to adjust tripping values and times.

4.2.3 Push-button <RESET>

The pushbutton <RESET> is used to acknowledge and reset the LEDs and the tripping relay after a tripping with the appropriate pre-adjustment (see 4.3). Indications and output-elements, which are coded on latching, have to be reset manually by pressing pushbutton <RESET>.

4.3 Code jumper

At the rear of the front plate, are coding plugs for pre-adjustment of the LEDs' function as well as for the trip relays function.

- **IRU1-UO** four coding plugs
- **IRU1-E** two coding plugs

The function of alarm-LEDs (yellow) is not codeable. They light up as soon as threshold is exceeded and they will extinguish automatically, if the threshold falls below the setting value.

Note:

At delivery of the relay all coding plugs are equipped with code jumpers.

The coding plugs are used for the following functions:

- coding plugs 1 + 2 undervoltage-element ($U<$)
- coding plugs 3 + 4 overvoltage-element ($U>$)

For further information please refer to 6.3.2

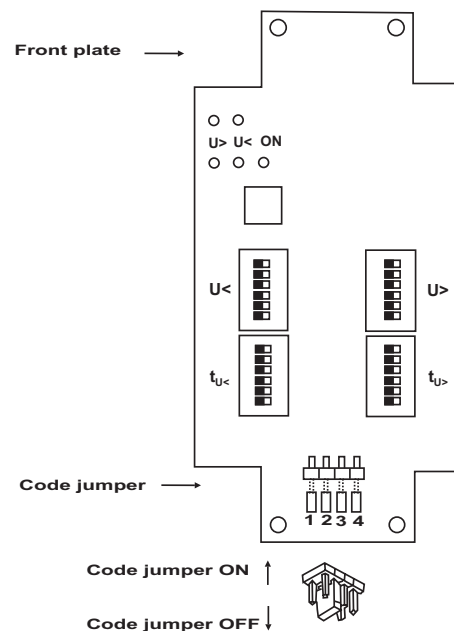


Fig. 4.9: Code jumper

Code jumper	Function	Code jumper position	Operation mode
1	Undervoltage indication	OFF	Latching red LED $U<$
		ON	Auto-reset red LED $U<$
2	Undervoltage element	OFF	Latching for trip element $U<$
		ON	Auto-reset for trip element $U<$
3	Overvoltage indication	OFF	Latching red LED $U>$ ($U_E>$ at IRU1-E)
		ON	Auto-reset red LED $U>$ ($U_E>$ at IRU1-E)
4	Overvoltage element	OFF	Latching for trip element $U>$ ($U_E>$ at IRU1-E)
		ON	Auto-reset for trip element $U>$ ($U_E>$ at IRU1-E)

Table 4.1: Coding possibilities

5. Working Principle

The **IRU1-UO** is equipped with a one-step independent over- (U>) and undervoltage (U<) supervision with separately adjustable pickup values and time delays. In delta connection the phase-to-phase voltages and in star connection the phase-to-neutral voltages are continuously compared with the set reference values.

Measuring principle:

The incoming analog voltages are galvanically decoupled via the input voltage transformers and subsequently filtered in order to minimize the influence of disturbing voltages. The voltages are then compared to an internal reference voltage. If the voltage value falls below or exceeds the set reference value a time circuit is activated and the appropriate output relay trips.

For the overvoltage supervision, the highest value of the three voltages, for the undervoltage supervision, the lowest value of the three voltages is evaluated.

The **IRU1-E** is equipped with a one-phase and one-step voltage supervision ($U_{E>}$) with adjustable pickup values and time delays. The extremely wide voltage setting range has fine steps. Hereby the residual voltage is continuously compared with the set reference values.

Measuring principle of IRU1-E :

The incoming analog voltage is galvanically decoupled via the input voltage transformer with subsequently electronic data acquisition.

With the help of a low-pass filter and a following band-pass filter the 3rd harmonic will be suppressed. The measured values will be compared with the set reference value. The relay picks up the trip delay will be activated and the corresponding LED lights up if the measured value exceeds the set reference value. After the trip delay has expired the relay trips.

6. Operations and settings

6.1 Layout of the operating elements

All DIP-switches required for the setting of parameters are located on the front plate.

6.2 Setting of parameters by means of DIP-switches

6.2.1 Setting of the pickup value for overvoltage supervision U>

With the aid of DIP-switch U> it is possible to adjust the pickup value for the U> tripping element in the range of 50 - 224 % U_N . The pickup value is calculated from the sum of the individual factors multiplied by the adjusted multiplication factor.

Example:

A tripping value of 128 % U_N is to be adjusted.

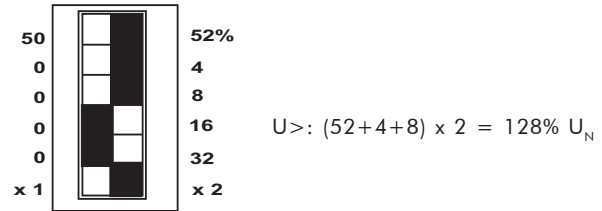


Fig 6.1: Setting example

6.2.2 Setting of the pickup value for the undervoltage supervision U<

With the aid of DIP-switch U< it is possible to adjust the pickup value for the U< tripping element in the range of 30 - 122 % U_N . The pickup value is calculated from the sum of the individual factors multiplied by the adjusted multiplication factor.

Example:

A tripping value of 90 % U_N is to be adjusted.

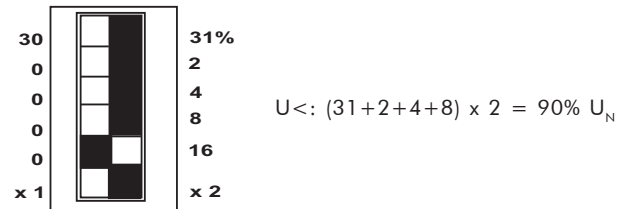


Fig 6.2: Setting example

6.2.3 Setting of the pickup value for the earth-fault voltage supervision $U_{E>}$ (IRU1-E only)

With the aid of DIP-switch $U_{E>}$ it is possible to adjust the pickup value for the earth-fault voltage supervision in the range of 1 - 62 % of U_N . The pickup value is calculated from the sum of all individual values multiplied by the adjusted multiplication factor.

Example:

A tripping value of 20 % of U_N is to be adjusted.

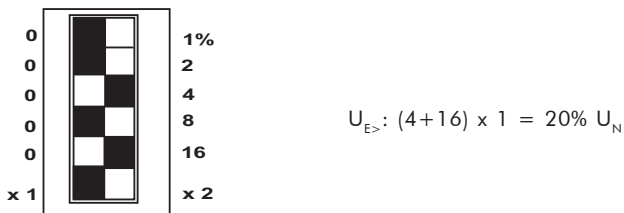


Fig. 6.3: Setting example

6.2.4 Setting of trip delay

Each according to the unit type, the trip delay can be set with the aid of the DIP-switch t in the range of 0.1 - 62 s. The appropriate tripping value is calculated from the sum of the individual factors multiplied by the adjusted multiplication factor (1 or 20).

Example:

A trip delay of 14 s is to be adjusted.

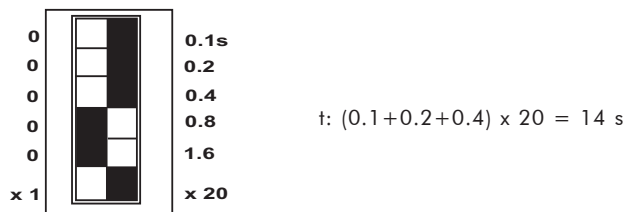


Fig. 6.4: Setting example

6.2.5 Indication of faults

For the fault indication the IRU1-UO front plate provides two LEDs for each function:

- $U_{>}$: upper LED indicates alarm (yellow), lower LED indicates trip (red)
- $U_{<}$: upper LED indicates alarm (yellow) lower LED indicates trip (red).

6.3 Reset

6.3.1 Reset by pressing pushbutton <RESET>

By pressing the pushbutton <RESET> the tripping relay is reset and LED $U_{<}$ or $U_{>}$ will extinguish. For this purpose, it is necessary that all code jumpers are in position "OFF" (see also chapter 4.3).

6.3.2 Automatic reset

Code jumper 1+3

The red fault indication LEDs $U_{<}/U_{>}$ are coded on latching, if no code jumper is used on coding plug 1 or 3.

The fault indication can only be reset manually by actuating the pushbutton <RESET>.

The red fault indication LEDs will be reset automatically after clearance of the fault, if code jumpers are used on coding plug 1 or 3.

Code jumper 2+4

The tripping elements are coded on latching, if no code jumper is used on coding plug 2 or 4.

The corresponding tripping element can only be reset manually by actuating the pushbutton <RESET>. The tripping elements will reset automatically after clearance of the fault, if code jumpers are used on coding plug 2 or 4.

7. Housing

The **IRU1** can be supplied in an individual housing for flush-mounting or as a plug-in module for installation in a 19" mounting rack according to DIN 41494. Both versions have plug connectors.

Relays of variant D are complete devices for flush mounting, whereas relays of variant A are used for 19" rack mounting. Housing variant A to be installed in switchboards of protection class IP51. For switchboards of lower protection classes housing variant D can be used.

7.1 Individual housing

The individual housing of the **IRU1** is constructed for flush-mounting. The dimensions of the mounting frame correspond to the requirements of DIN 43700 (76 x 142 mm). The cut-out for panel mounting is 68.7 x 136.5 mm.

The front plate of the **IRU1** is covered with a transparent, sealable flap (IP54).

For case dimensions and cut-out refer to "technical data". The individual housing is fixed with the supplied clasps from the rear of the panel.

7.2 Rack mounting

The **IRU1** is in general suitable for installation in a modular carrier according to DIN 41494. The installation dimensions are: 12 TE; 3 HE.

According to requirements, the **IRU1**-devices can be delivered mounted in 19" racks.

If 19" racks are used the panel requires protection class IP51. For switchboards with lower degree of protection must be used individual housing.

7.3 Terminal connections

The plug-in module has a very compact base with plug connectors and screwed-type connectors.

- 8 poles screw-type terminals (terminal connectors series A with a short time current capability of 500 A/1s) for voltage circuits.
- 27 poles screw-type terminals for relay outputs, supply voltage etc. (terminal connectors series C, D and E, max. 6 A current carrying capacity). Connection with tabs 6.3 x 0.8 mm for cable up to max. 1.5 mm² or with tabs 2.8 x 0.8 mm for cable up to max. 1 mm².

By using 2.8 x 0.8 mm tabs a bridge connection between different poles is possible.

The following figure shows the terminal block of **IRU1**

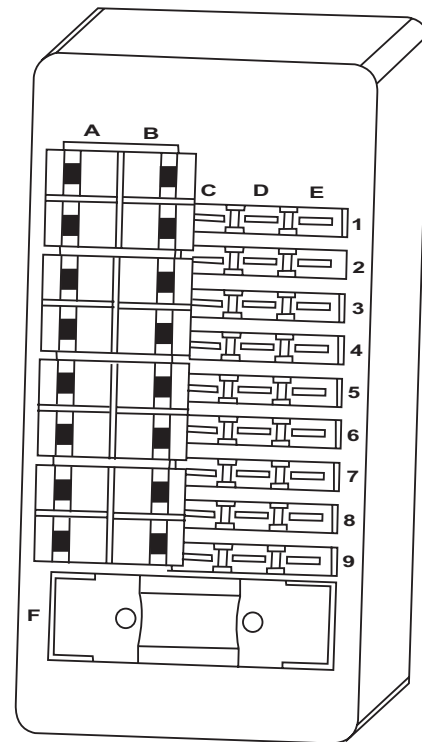


Fig. 7.1: Terminal block

8. Relay testing and commissioning

The following test instructions should help to verify the protection relay performance before or during commissioning. To avoid a relay damage and to ensure a correct relay operation, be sure that:

- the auxiliary power supply rating corresponds to the auxiliary voltage on site
- the rated voltage corresponds to the plant data on site,
- the voltage transformer circuits are connected to the relay correctly
- all control- and measuring circuits as well as the output relays are connected correctly.

8.1 Power on

Note!

Prior to switch on the auxiliary power supply, be sure that the auxiliary supply voltage corresponds with the rated data on the type plate.

When the auxiliary power supply is switched on (terminals C9/E9) please observe that the LED "ON" is alight.

8.2 Checking the setting value

Due to a check of the DIP-switch positions, the actual thresholds can be established.

The setting values can be corrected, if necessary by means of the DIP-switches.

8.3 Secondary test

8.3.1 Test equipment

- Voltmeter
- Auxiliary power supply with the voltage corresponding to the rated data on the type plate,
- Three-phase voltage supply(adjustable from 0 - $2.4 \times U_N$)
- Single-phase voltage supply(adjustable from 0 - $1.2 \times U_N$ (only IRU1-E)
- Timer to measure the operating time
- Switching device
- Test leads and tools

8.3.2 Example test circuit with IRU1 - relay

For testing *IRU1* only voltage signals are used. Figure 8.1 shows an example of a single-phase test circuit with variable voltage source.

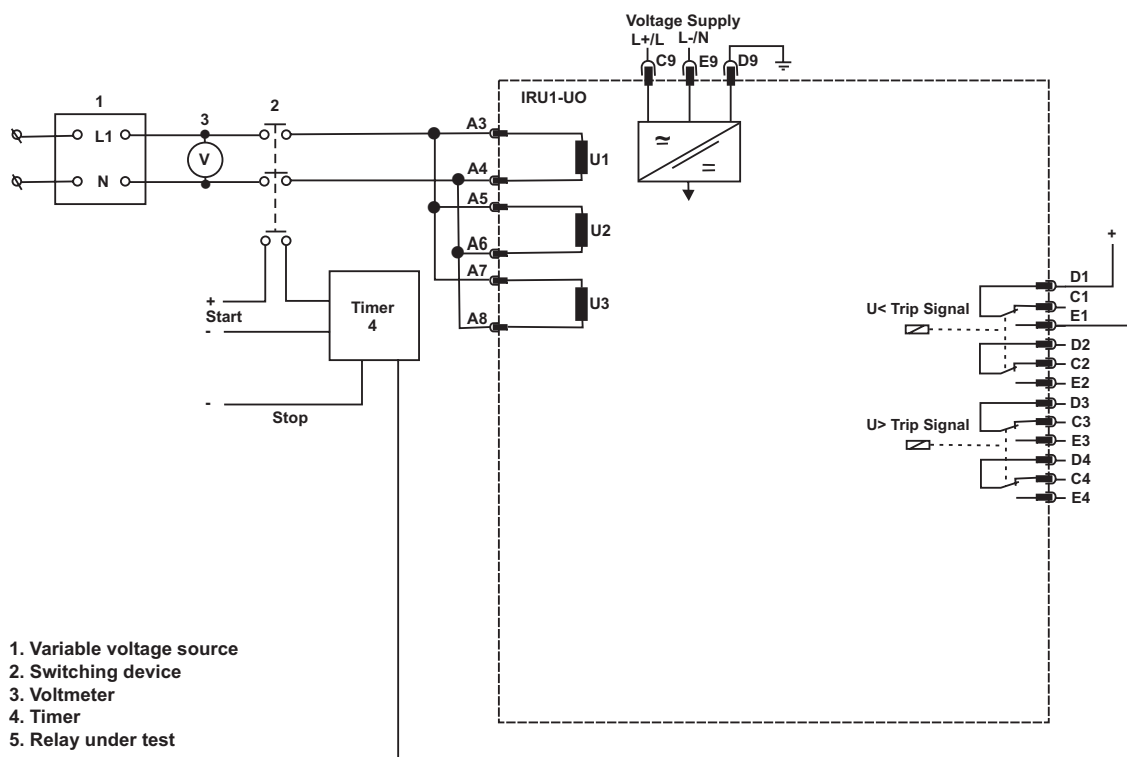


Fig. 8.1: Test circuit

8.3.3 Testing of pickup- and reset values (IRU1-UO)

For testing the pickup values of $U>$ and $U<$, the test voltage (AC) has to be connected to the relay (terminals A3 / A4). When testing the overvoltage pickup value, at first the test voltage has to be lower than the set pickup value for $U>$. Then the test voltage has to be gradually increased until the relay picks up. This will be indicated by the upper LED $U>$ (yellow). Reading of the voltmeter must not deviate from the pickup value $U>$ by more than ± 1 %.

For ascertaining the reset value of the overvoltage pickup value, the test voltage has to be slowly decreased until the output relay $U>$ is de-energized (on condition of appropriate encoding). Upper LED $U<$ then extinguishes.

The reset value must not be greater than 0.97 times the pickup value i.e. the resetting ratio of the overvoltage supervision is < 1 .

When testing the undervoltage pickup value, at first the test voltage has to be higher than the set pickup value for $U<$. Then the test voltage has to be gradually decreased until the relay is de-activated. This will be indicated by the upper LED $U<$ (yellow).

Reading of the voltmeter must not deviate from the pickup value $U<$ by more than ± 1 %.

For ascertaining the reset value of the undervoltage pickup value, the test voltage has to be slowly increased until the output relay $U<$ is energized (on condition of appropriate encoding).

Upper LED $U<$ then extinguishes.

The reset value must not be greater than 1.03 times the pickup value i.e. the resetting ratio of the undervoltage supervision is > 1 .

8.3.4 Trip delay test (IRU1-UO)

For testing the trip delay a timer has to be connected to the output relay $U>$ or $U<$.

The timer has to be started at the same time as the test voltage will be switched on, and be stopped in the instant of relay trip.

When testing the trip delay of the overvoltage pickup value, the test voltage must be higher than the pickup value itself (e.g. pickup value +20 %). Same procedure has to be done in the similar manner for testing the trip delay of the undervoltage pickup value.

The measured trip delay must not deviate from the set trip delay by more than ± 3 % or ± 20 ms.

8.3.5 Pickup- and reset value test for the earth-fault element (IRU1-E)

For testing the earth-fault element a single-phase test voltage has to be connected to the relay (terminals A3/A4). This test can be carried out in the similar manner as described in chapter 8.3.3.

8.3.6 Trip delay test for the earth-fault element (IRU1-E)

Testing the trip delay for the earth-fault element has to be done in the similar manner as described in chapter 8.3.4.

For testing the trip delay for the earth-fault element a single-phase test voltage has to be connected to the relay (terminals A3/A4).

8.4 Primary test

Generally, a primary injection test could be carried out in the similar manner as the secondary injection test above. Since the cost and potential hazards are very high for such a test, primary injection tests are usually limited to very important protective relays in power system.

8.5 Maintenance

Maintenance testing is generally done on site at regular intervals. These intervals vary among users depending on many factors: e.g. the type of protective relays employed; the importance of the primary equipment being protected; the users past experience with the relay, etc.

For static relays like *IRU1*, maintenance testing will be performed at least once a year according to the experiences.

9. Technical Data

9.1 Measuring input

Rated data

Nominal voltage U_N : 100, 230, 400 V

Nominal frequency f_N : 50/60 Hz

Power consumption in voltage circuit : <1 VA/per phase at U_N

Thermal withstand capability in voltage circuit : Continuously $2 \times U_N$ (IRU1)
Continuously $1.2 \times U_N$ (IRU1-E)

9.2 Auxiliary voltage

Rated auxiliary voltage U_H : 24 V working range 16 - 60 V AC / 16 - 80 V DC
110 V working range 50 - 270 V AC / 70 - 360 V DC

Power consumption at 24 V : at 24 V standby approx. 3 W operating approx. 6 W
at 110 V standby approx. 3 W operating approx. 6 W

9.3 Common Data

Permissible interruption of the supply voltage without influence on the unit function

: 50 ms

Drop-out ratio : $U_{>}$: > 97 %
 $U_{<}$: < 103 %
 $U_{E>}$: > 97 %

Returning time : 30 ms

Min. response time : 30 ms

9.4 Output relays

The output relays have the following characteristics:

maximum breaking capacity : 250 V AC / 1500 VA / continuous current 6 A
for DC-voltage:

	ohmic	L/R = 40 ms	L/R = 70 ms
300 V DC	0.3 A / 90 W	0.2 A / 63 W	0.18 A / 54 W
250 V DC	0.4 A / 100 W	0.3 A / 70 W	0.15 A / 40 W
110 V DC	0.5 A / 55 W	0.4 A / 40 W	0.2 A / 22 W
60 V DC	0.7 A / 42 W	0.5 A / 30 W	0.3 A / 17 W
24 V DC	6 A / 144 W	4.2 A / 100 W	2.5 A / 60 W

Max. rated making current : 64 A (VDE 0435/0972 and IEC 65/VDE 0860/8.86)

mechanical life span : 30×10^6 operating cycles

electrical life span : 2×10^5 operating cycles at 220 V AC / 6 A

Contact material : silver cadmium oxide (AgCdO)

9.5 System data

Design standard : VDE 0435, part 303, IEC 255.4, BS 142

Specified ambient service

Temperature range : - 40°C to + 85°C

for storage : - 20°C to + 70°C

Environmental protection class F as per DIN 40040 and per DIN IEC 68 2-3 : relative humidity 95 % at 40°C for 56 days

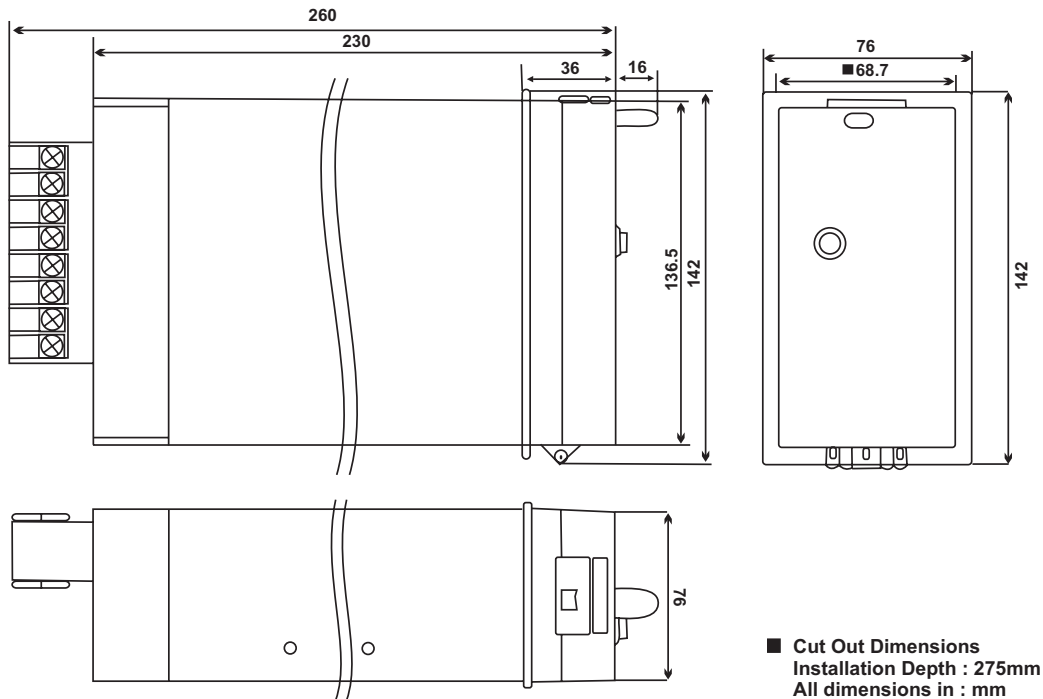
Insulation test voltage, inputs and outputs between themselves and to the relay frame as per VDE 0435, part 303 : 2.5 kV (eff.), 50 Hz; 1 min.

Impulse test voltage, inputs and outputs between themselves and to the relay frame as per VDE 0435, part 303	:	5 kV; 1.2 / 50 μ s; 0.5 J
High frequency interference test voltage, inputs and outputs between themselves and to the relay frame as per DIN IEC 255, part 22-1	:	2.5 kV / 1MHz
Electrostatic discharge (ESD) test as per VDE 0843 part 2	:	8 kV
Electrical fast transient (Burst) test as per VDE 0843, part 4	:	4 kV / 2.5 kHz, 15 ms
Radio interference suppression test as per DIN 57 871 and VDE 0871	:	limit value class B
Radio interference radiation test as per VDE 0843, part 3	:	10 V/m
Mechanical tests:		
Shock	:	as per DIN IEC 255-21-2: class 1
Vibration	:	as per DIN IEC 255-21-1: class 1
Degree of Protection:		
- front plate	:	IP54 if front cover is closed (only D-Version)
Weight	:	approx. 1.5 kg
Degree of pollution		
	:	2 by using housing type A 3 by using housing type D
Overvoltage class	:	III
Influence quantities:		
Influence of frequency	:	40 Hz <f< 70 Hz:> 3% of the set value
Influence of temperature	:	20°C... 70°C
Influence of auxiliary voltage	:	no influence within the tolerable range

9.6 Setting ranges and steps

Relay type	Parameter	Setting range	Steps	Tolerances
IRU1-U	$U_{<}$	30...61 % U_N 60...122 % U_N	1 % U_N 2 % U_N	± 1 % of rated value ± 1 % of setting value
	$t_{U<}$	0.1...3.1 s 2...62 s	0.1 s 2.0 s	± 3 % or ± 20 ms
IRU1-O	$U_{>}$	50...112 % U_N 100...224 % U_N	2 % U_N 4 % U_N	± 1 % of rated value ± 1 % of setting value
	$t_{U>}$	0.1...3.1 s 2...62 s	0.1 s 2.0 s	± 3 % or ± 20 ms
IRU1-E	$U_{E>}$	1...31 % U_N 2...62 % U_N	1 % U_N 2 % U_N	± 0.5 % of rated value (min. 0.1 V)
	$t_{UE>}$	0.1...3.1 s 2...62 s	0.1 s 2.0 s	± 3 % or ± 20 ms
IRU1-UO	$U_{<}$	30...61 % U_N 60...122 % U_N	1 % U_N 2 % U_N	± 1 % of rated value ± 1 % of setting value
	$t_{U<}$	0.1...3.1 s 2s...62 s	0.1 s 2.0 s	± 3 % or ± 20 ms
	$U_{>}$	50...112 % U_N 100...224 % U_N	2 % U_N 4 % U_N	± 1 % of rated value ± 1 % of setting value
	$t_{U>}$	0.1...3.1 s 2...62 s	0.1 s 2.0 s	± 3 % or ± 20 ms

9.7 Dimensional drawing



Please observe:

A distance of 50 mm is necessary when the units are mounted one below the other for the housing bonnet to be easily opened. The front cover can be opened downwards.

10. Order form

AC voltage relay		IRU1-					
Function	Undervoltage AC Overvoltage AC Zero voltage (Earth fault detection) Under and overvoltage AC	U O E UO					
Rated Voltage	100 V 230 V 400 V		1 2 4				
Auxiliary voltage	24 V (16 to 60 V AC/16 to 80 V DC) 110 V (50 to 270 V AC/70 to 360 V DC)			L H			
Housing (12TE)	19" rack Flush mounting					A D	

Technical data subject to change without notice!

For further information, please contact :



C&S Protection & Control Ltd.

44, Okhla Indl. Estate, New Delhi-110020, Ph.: 011-55602414, 26319465-66 Fax: 011-55602413 email: cspc@controlsindia.com

Marketing Office : DELHI : Ph.: 55602414, 26319465-66 Fax: 55602413 **CHANDIGARH** : Ph. 2776154, 2776151, 2726153 Fax: 2726154
KOLKATA : Ph. 24549607-08 Fax: 24549371 **MUMBAI** : Ph.: 24114727-28 Fax : 24126631 **PUNE** : Ph.: 5444822-824, Fax: 5410820,
AHMEDABAD : Ph.: 65841425, 6589132 Fax : 6589132 **BANGALORE** : Ph.: 5586147, 5323582, 5594939 Fax: 5582796,
CHENNAI : Ph.: 26426475, 26426572 Fax: 26411972 **HYDERABAD** : Ph.: 27813003, 55332304 Fax: 27812987